

# LE-D Series Magnetic Starter

## Application

LE-D Series magnetic starter is mainly applied to circuit of AC 50 or 60Hz, voltage up to 550V for far distance making and breaking circuit and frequently starting and controlling motor. It has the features of small volume, light weight, low power consumption, high efficiency, safe and reliable performance. It complies to IEC947-4-1.



LE-D09  
LE-D12  
LE-D18



LE-D25  
LE-D32

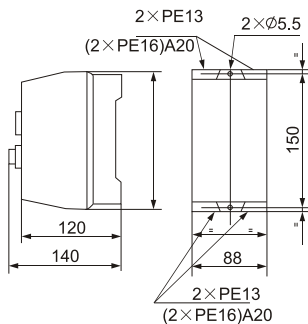
## Specification

Type	Rated Current (A)	Maximum Power Ac3 duty (KW)						Suitable Thermal Relay (A)
		220V 230V	380V 400V	415V	440V	500V	660V 690V	
LE-D09	9	2.2	4	4	4	5.5	5.5	LR2-D1312 LR2-D1314
LE-D12	12	3	5.5	5.5	5.5	7.5	7.5	LR2-D1316
LE-D18	18	4	7.5	9	9	10	10	LR2-D1321
LE-D25	25	5.5	11	11	11	15	15	LR2-D1322 LR2-D2353
LE-D32	32	7.5	15	15	15	18.5	18.5	LR2-D2355
LE-D40	40	11	18.5	22	22	22	30	LR2-D3353 LR2-D3355
LE-D50	50	15	22	25	30	30	33	LR2-D3357 LR2-D3359
LE-D65	65	18.5	30	37	37	37	37	LR2-D3361
LE-D80	80	22	37	45	45	55	45	LR2-D3363 LR2-D3365
LE-D95	95	25	45	45	45	55	45	LR2-D3365

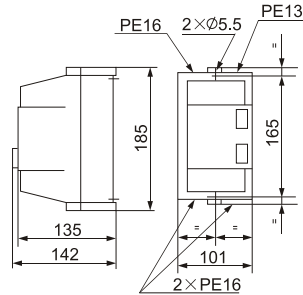
## Dimension & Mounting Size



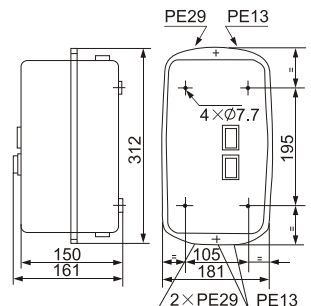
LE-D40  
LE-D50  
LE-D65  
LE-D80  
LE-D95



LE-D9~LE-D18



LE-D25~LE-D32



LE-D40~LE-D95